

UV664Q

Features

Full bore.
Double block and bleed seat design.
Fire safe design.
Anti-Static.

Technical Data

Normal diameter or bore:
NPS 4"~NPS 16", DN100~DN400.
Normal pressure rating:
Class 150, 300 and 600.
Material: Carbon Steel, Stainless Steel.
Applicable temperature: -29°C ... +300°C.
Other low temp. or high temp. request,
please contact UNIVALS factory directly.

Design Standard

Design & manufacture:
ASME 16.34, API 6D.
Valve tightness: ANSI FCI 70-2 Class V.
Connection ends: ASME B16.5.
Face to face: ASME B16.10.
Testing & inspection: API 598, API 6D.

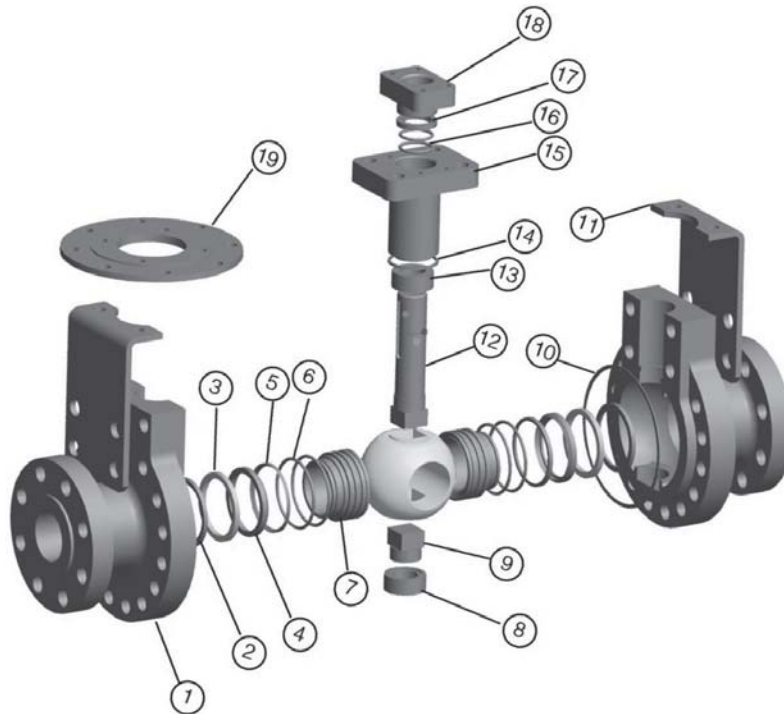
METAL SEATED, TRUNNION MOUNTED, FULL BORE FLANGED BALL VALVE



Application

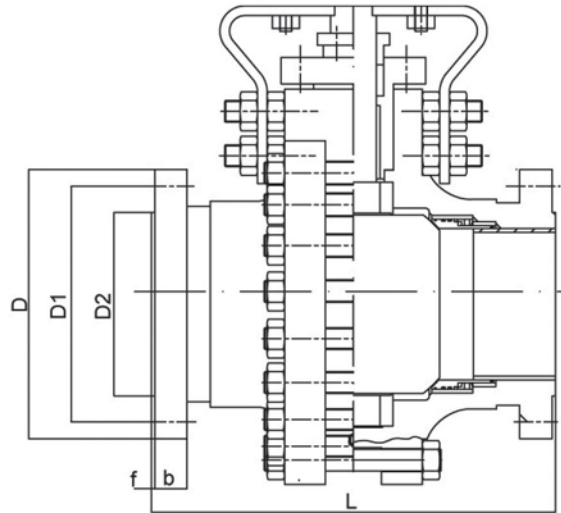
- Power generation.
- Coal Chemical.
- Silicone.
- Chemical industry.
- Metallurgy.
- Shipbuilding.

Standard Structure for UV664Q



NO.	PART NAME
1	BODY
2	GASKET
3	SPRING
4	BACK UP RING
5	SEAT SEAL
6	O-RING
7	SEAT
8	TRUNNING BEARING
9	STEM
10	BODY SEAL
11	BRACKET
12	SHAFT
13	TRUNNING BEARING
14	SEAL
15	PACKING SLEEVE
16	TRUNNION HEX BOLT
17	O-RING
18	PACKING GLAND
19	GASKET

Dimensions



Size		Dimensions ASME 150 Lb in mm							
INCH	DN	L	D	D1	D2	n	d	b	f
4"	100	229	230	190.5	157	8	19	24	2
6"	150	394	280	241.5	216	8	22	26	2
8"	200	457	345	298.5	270	8	22	29	2
10"	250	533	405	362	324	12	25	31	2
12"	300	610	485	432	381	12	25	32	2
14"	350	686	535	476	413	12	29	35	2
16"	400	762	595	540	470	16	29	37	2

Size		Dimensions ASME 300 Lb in mm							
INCH	DN	L	D	D1	D2	n	d	b	f
4"	100	305	255	200	157	8	22	32	2
6"	150	403	320	270	216	12	22	37	2
8"	200	502	350	330	270	12	25	42	2
10"	250	568	445	387.5	324	16	29	48	2
12"	300	648	520	451	381	16	32	51	2
14"	350	762	585	514.5	413	20	32	54	2
16"	400	838	650	571.5	470	20	35	58	2

Size		Dimensions ASME 600 Lb in mm							
INCH	DN	L	D	D1	D2	n	d	b	f
4"	100	432	275	216	157	8	25	45	7
6"	150	559	355	292	216	12	29	55	7
8"	200	660	420	349	270	12	32	63	7
10"	250	787	510	432	324	16	35	71	7
12"	300	838	560	489	381	20	35	74	7
14"	350	889	605	527	413	20	38	77	7
16"	400	991	685	603	470	20	41	84	7

Face-to-face dimension acc. to ANSI B16.10

How to Order

Example :

664Q06AANFG

1.	2.	3.	4.	5.	6.	7.
664Q	06	A	A	N	F	G

1.	TYPE		
	664Q		
2.	Valve Size		
04	100 mm	12	300 mm
06	150 mm	14	350mm
08	200 mm	16	400mm
10	250 mm		
3.	Pressure Rating		
A	ANSI 150	B	ANSI300
C	ANSI 600		
4	Body Material		
A	WCB	B	CF8M
Y	Others consult with factory		

5.	Ball Material
N	316+Ni60
Y	Others consult with factory
6.	Seat Material
F	316+Ni55
Y	Others consult with factory
7.	Packing
G	Graphite

Univals Singapore

1 Kaki Bukit Road 1, #02-12/13 Enterprise One, Singapore 415934

Tel: +65 6580 8388 Fax: +65 6580 8399

Univals China

No.393, XinGe Road, SongJiang District, Shanghai 201612 PR China

Tel: +86 21-6767 6678 Fax: +86 21-6767 6628

<http://www.univals.com>

Univals have rights to change the design and specification of products without prior notification